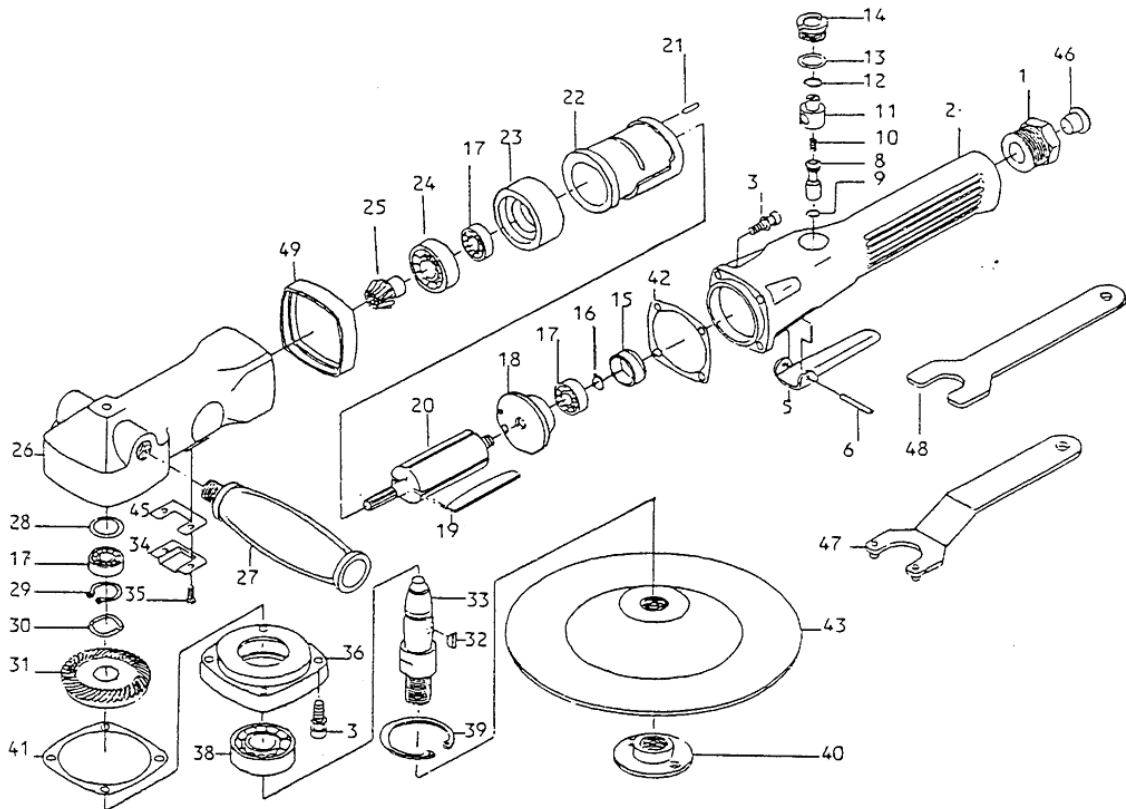


# GP-0470 7" ANGLE SANDER



**PARTS    DESCRIPTION**

**NO.**

- 01. HOSE ADAPTER
- 02. VALVE BODY
- 03. CAP SCREW (8)
- 05. LEVER
- 06. SPRING PIN
- 08. VALVE STEM
- 09. "O" RING
- 10. SPRING
- 11. AIR REGULATOR
- 12. "O" RING
- 13. "O" RING
- 14. VALVE SCREW
- 15. BEARING RUBBER CAP
- 16. RETAINING RING
- 17. BALL BEARING (3)
- 18. REAR PLATE
- 19. ROTOR BLADE (4)
- 20. ROTOR
- 21. SPRING PIN
- 22. CYLINDER
- 23. FRONT PLATE
- 24. BALL BEARING
- 25. PINION GEAR

**PARTS    DESCRIPTION**

**NO.**

- 26. MOTOR HOUSING
- 27. DEAD HANDLE
- 28. BEARING PLATE
- 29. RETAINING RING
- 30. WAVE WASHER
- 31. BEVEL GEAR
- 32. KEY
- 33. GEAR SHAFT
- 34. EXHAUST DEFLECTOR
- 35. SCREW (2)
- 36. HOUSING CAP
- 38. BALL BEARING
- 39. RETAINING RING
- 40. PAD NUT
- 41. GASKET
- 42. GASKET
- 43. PAD (PLASTIC)
- 45. GASKET
- 46. PLASTIC COVER
- 47. DISC SPANNER
- 48. STOP SPANNER
- 49. RUBBER